

**SmartThru™**  
[Modular Cable Entry Systems]



## The New Ease of Cable Routing

When it comes to reliable, secure, and clean cable entry, there's no way around SmartThru™. Whether using pre-terminated or unterminated cables, SmartThru™ ensures a long-lasting seal around the cables and a tight fit at the wall of your enclosure or control cabinet.

Split cable entry systems are the smart solution for fast and secure cable installation in enclosures and control cabinets – especially when cables are already pre-terminated.

SmartThru™ is a thoughtfully engineered system that redefines installation convenience, sealing, and flexibility – crafted with the usual attention to detail.





## What SmartThru™ Offers:

## What That Means for You:

Modular system with freely configurable frames and grommets

Customize your cable entry exactly how you need it – simple, fast, and flexible. All frames and grommets are fully compatible.

Compatible frame sizes: 4, 10, 16, and 24

Perfect fit with standard industrial cutouts – no special modifications needed.

Up to 40 cables per frame

Saves space, reduces the number of required entries, and minimizes installation effort.

Grommets for cable diameters from 3–33 mm with  $\pm 0.3$  mm tolerance compensation

Full flexibility for different cable sizes – less inventory, more applications

IP66 protection as standard

Reliable dust and water protection – regardless of the grommet used. Better safety with less planning.

Molded-in frame gasket

No extra accessories needed – no loose parts, no assembly errors, no leaks.

Integrated strain relief in grommet, optional cable tie

Secure mechanical relief for your cables – easy additional stabilization with a cable tie.

Split grommets for pre-terminated cables

No need to disassemble connectors – saves time, protects components, and preserves warranties.

Secure fit without dividers

Fewer parts, less work, perfect stability.

Same easy installation for all variants

One system, one process – standardized workflows, fewer mistakes, faster installation

Installation with a single hex key

Fewer tools needed – efficient and user-friendly.

UV-resistant, temperature-resistant from  $-40$  °C to  $+100$  °C

Fully reliable even in outdoor or extreme environments.

Designed for tough applications

Robust system built for harsh conditions – ideal for global industrial use.

UL-listed & Flame-retardant per UL 94: V0

Meets international safety standards – ideal for projects requiring certification.

# SmartThru™

[The Modular Cable Entry System for Maximum Flexibility]

Install your cable entry system exactly how your application demands it. With SmartThru™, you can freely configure the grommets in the frame – including multi-hole grommets for maximum packing density. The integrated elastomer seal provides reliable IP66 protection – without loose seals or small parts.

## Four Frame Sizes – Tailored to Your Installation

SmartThru™ is available in four practical frame sizes: 4, 10, 16, and 24 – matched to standard cutouts in control cabinets and enclosures. Just choose the right size and get started – no detours, no modifications.

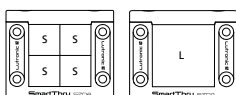
## SmartThru™ Grommet System – Precision. Safety. Flexibility.

With the versatile SmartThru™ grommet system, you select exactly what your setup requires – quickly, easily, and accurately.

### 7900 SZ04



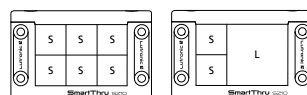
Material	PA 6.6
Temperature range	-40 °C/+100 °C
Cut out dimension	46 mm x 36–46 mm
Dimensions (W x H x D)	72.8 mm x 61 mm x 20 mm
Designation	7900 SZ04



### 7900 SZ10



Material	PA 6.6
Temperature range	-40 °C/+100 °C
Cut out dimension	65 mm x 36–46 mm
Dimensions (W x H x D)	96.5 mm x 61 mm x 20 mm
Designation	7900 SZ10





## Your Options

- Small grommets (S) for cable diameters from 3–16 mm (one grommet slot)
- Large grommets (L) for diameters from 16–33 mm (occupy four slots)
- Multi-hole grommets for 4–8 mm – ideal for high-density setups
- Blind grommets and plugs for unused openings – safely sealed and clean

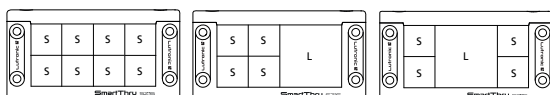
## Your Advantages

- Reliable IP66 sealing – no extra components needed
- Flawless assembly with patented spring-groove design – grommet always fits correctly
- Flexible sealing lips compensate for cable tolerances – long-lasting tight seals
- Integrated strain relief protects cables from mechanical stress
- Optional external strain relief via cable tie and integrated strap
- Strain relief positioning adjustable – inside or outside, based on installation needs

### 7900 SZ16



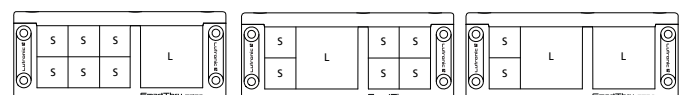
Material	PA 6.6
Temperature range	-40 °C/+100 °C
Cut out dimensions	86 mm x 36–46 mm
Dimensions (W x H x D)	116.5 mm x 61 mm x 20 mm
Designation	7900 SZ16



### 7900 SZ24



Material	PA 6.6
Temperature range	-40 °C/+100 °C
Cut out dimensions	112 mm x 36–46 mm
Dimension (W x H x D)	143.5 mm x 61 mm x 20 mm
Designation	7900 SZ24



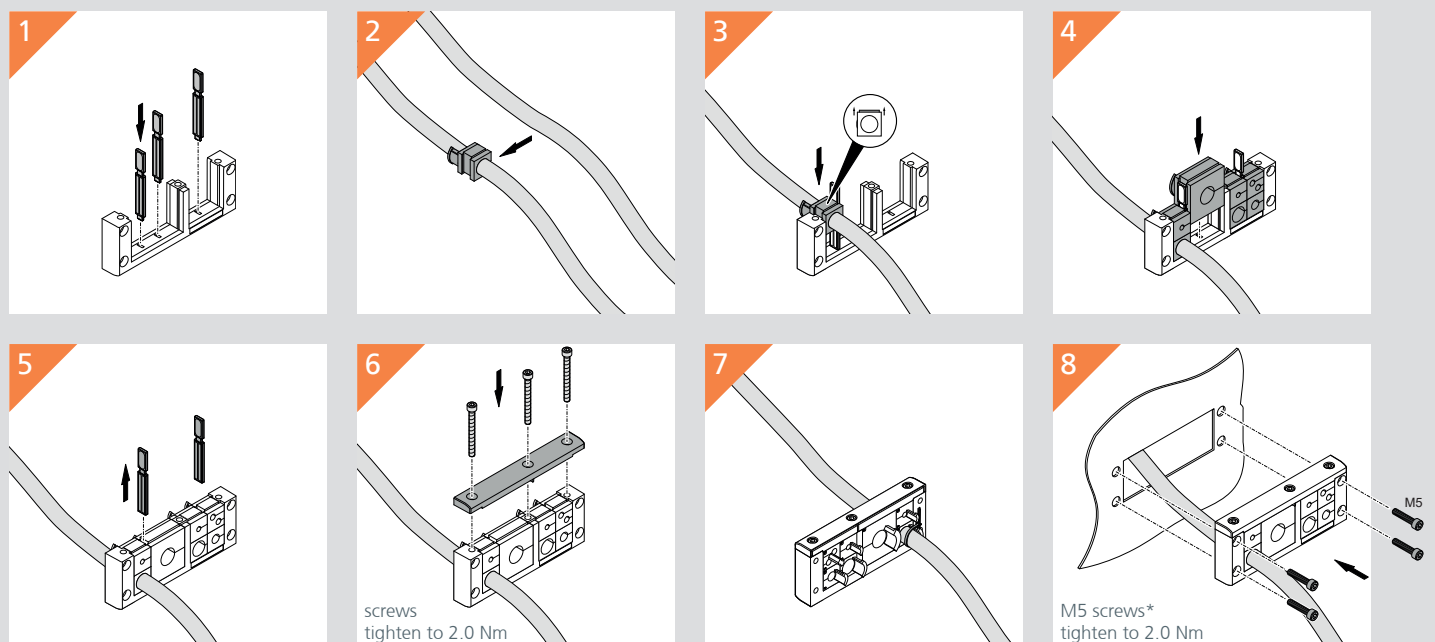
For custom configuration of the SmartThru™ frame, two grommet sizes are available – covering cable diameters from 3 to 33 mm. Small grommets handle cables from 3 to 16 mm and are available as single or multi-hole versions – perfect for high-density installations. Large grommets are designed for cables from 16 to 33 mm.

All grommets are side-slitted, allowing cables – even pre-terminated – to be inserted without disassembly or reassembly. A flexible inner sealing lip design compensates for cable tolerances and ensures a long-term, secure seal.

Additionally, the grommets support optional external strain relief. A cable tie can be routed through the integrated strap to fix the cable – inside or outside the enclosure depending on your installation setup.

As handy accessories, blind grommets and plugs are also available – to safely seal unused slots or reserve space for future upgrades.

## Installation Guide



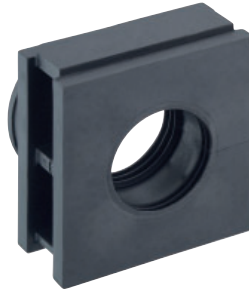
## Small Grommets

single · multiple



Designation	Sealing range Ø (mm)	Number of cable entrees
7901 D00		0
7901 D04	3.0–4.0	1
7901 D05	4.0–5.0	1
7901 D06	5.0–6.0	1
7901 D07	6.0–7.0	1
7901 D08	7.0–8.0	1
7901 D09	8.0–9.0	1
7901 D10	9.0–10.0	1
7901 D11	10.0–11.0	1
7901 D12	11.0–12.0	1
7901 D13	12.0–13.0	1
7901 D14	13.0–14.0	1
7901 D15	14.0–15.0	1
7901 D16	15.0–16.0	1
7902 D05 02	4.0–5.0	2
7902 D06 02	5.0–6.0	2
7902 D07 02	6.0–7.0	2
7902 D08 02	7.0–8.0	2
7902 D05 04	4.0–5.0	4
7902 D06 04	5.0–6.0	4

## Large Grommets



Designation	Sealing range Ø (mm)
7903 D17	16.0–17.0
7903 D18	17.0–18.0
7903 D19	18.0–19.0
7903 D20	19.0–20.0
7903 D21	20.0–21.0
7903 D22	21.0–22.0
7903 D23	22.0–23.0
7903 D24	23.0–24.0
7903 D25	24.0–25.0
7903 D26	25.0–26.0
7903 D27	26.0–27.0
7903 D28	27.0–28.0
7903 D29	28.0–29.0
7903 D30	29.0–30.0
7903 D31	30.0–31.0
7903 D32	31.0–32.0
7903 D33	32.0–33.0

## Plugs

for small grommets



Designation	Ø (mm)	Compatible with grommets
7904 CP04	4	7901 D04 & D05
7904 CP05	5	7901 D05 02 & D05 04
7904 CP06	6	7901 D06 & D07
7904 CP07	7	7901 D07 02
7904 CP08	8	7901 D08 & D09
7904 CP10	10	7901 D10 & D11
7904 CP12	12	7901 D12 & D13
7904 CP14	14	7901 D14 & D15
7904 CP16	16	7901 D16

i

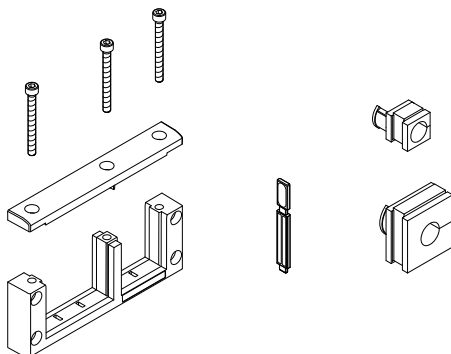
The evaluation of the UL protection ratings was carried out using straight, unbent cables without applied offset or bending forces.

Proper installation for the final application must be ensured accordingly. Cable strain relief and push-back protection must be considered in the end application.

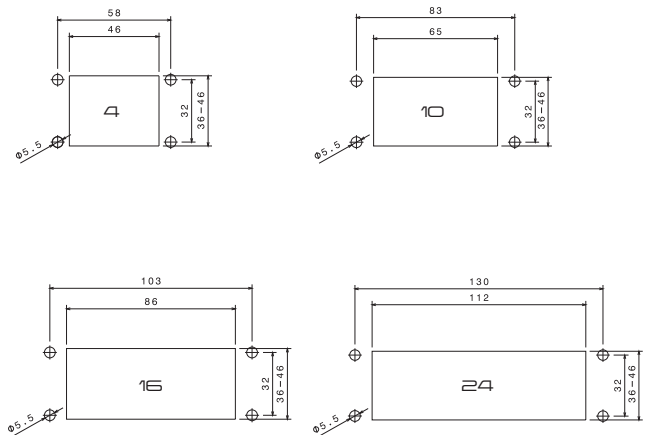
\* Screws:

For UL Type 5, use stainless steel or zinc-plated steel screws.

For UL Type 4X intended for indoor use, stainless steel screws of type AISI 304 or 316 must be used.



### Cutout Dimensions/Drilling Patterns



[www.lutronic.biz](http://www.lutronic.biz) · [inquiry@lutronic.biz](mailto:inquiry@lutronic.biz)